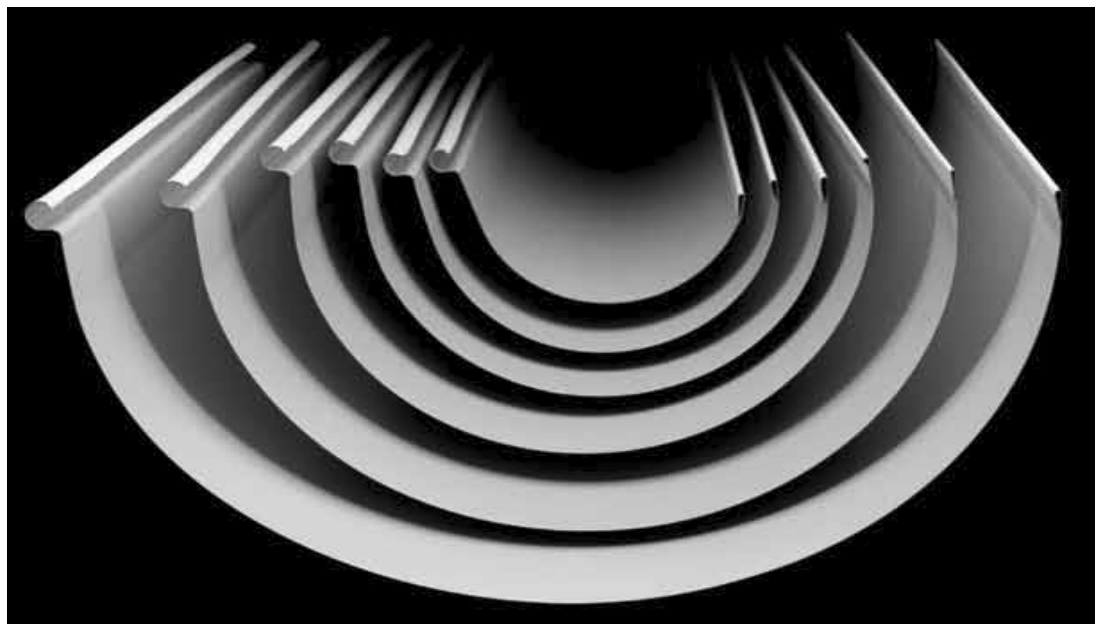


# Half Round Gutters

# Smooth Rolled Up to 6 metres length

# Bead is 12mm Higher than Back of Gutter

# Rolled Bead Front as Standard



Gutter Capacity		Dimensions (mm)		
Gutter Diam	Effective Cross-Sectional Area (mm <sup>2</sup> )	Front Height to Bead	Depth of Gutter	Height at Back of Gutter
150	7 300	87	75	75
175	10 500	101	89	89
200	13 700	112	100	100
225	17 600	124	112	112
250	22 000	137	125	125
300	32 300	162	150	150
350	44 600	187	175	175
400	58 800	212	200	200
450	75 000	237	225	225

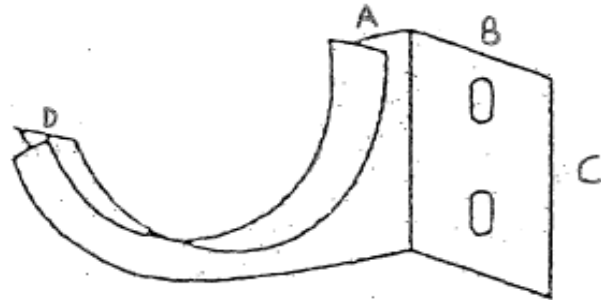
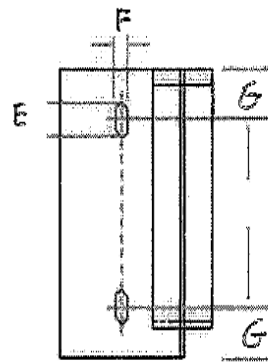
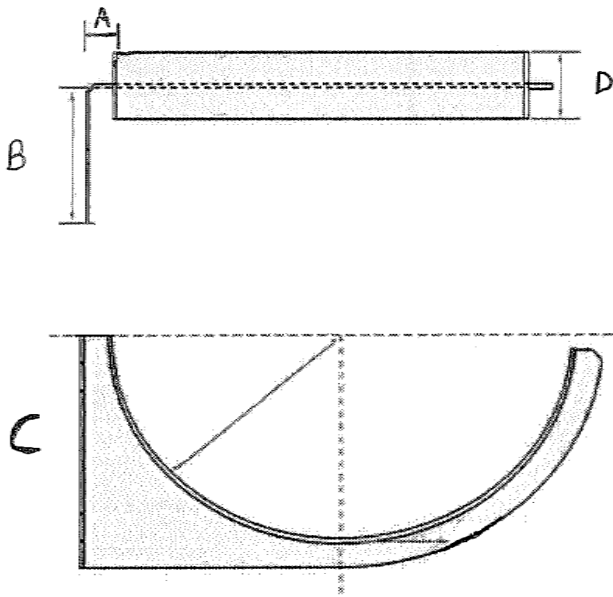


Aluminium Powder Coated Laser Cut Brackets

**Standard Lead time is 7 Working Days\***

\* Refer to Current Stock on hand / Otherwise 12 Working Days

# Half Round Brackets - Information



A Wall Stand Off  
 B Width of Back Plate  
 C Height of Back Plate

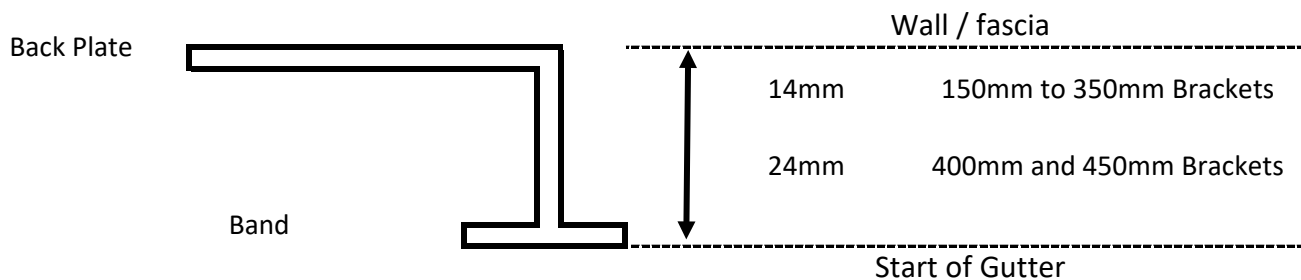
D Band Width  
 E / F Slot Size  
 G Slot Centre

		Bracket Dimensions (mm)					
Gutter Diam	Gutter Depth	A	B	C	D	E/F	G
150mm	75mm	14	80	95	25	20 x 8	30
175mm	88mm	14	80	107	40	20 x 8	30
200mm	100mm	14	80	120	40	20 x 8	30
225mm	113mm	14	80	133	40	20 x 8	30
250mm	125mm	14	80	145	40	20 x 8	30
300mm	150mm	14	80	170	40	20 x 8	30
350mm	175mm	14	80	200	40	20 x 8	40
400mm	200mm	24	100	228	40	25 x 12	40
450mm	225mm	24	100	253	40	25 x 12	40

		Bracket Thickness		
Gutter Diam	Aluminium	Stainless Steel	Galvabond	
150mm	3mm	2mm	2mm	
175mm	3mm	2mm	2mm	
200mm	3mm	2mm	2mm	
225mm	3mm	2mm	2mm	
250mm	3mm	2mm	2mm	
300mm	3mm	2mm	2mm	
350mm	3mm	2mm	2mm	
400mm	4mm	3mm	3mm	
450mm	4mm	3mm	3mm	

# Half Round Brackets - Information

## Stand Off From Wall - Top View of Bracket



## Standard Bracket Lead Times - Working Days

Gutter Diam	Aluminium	Stainless Steel	Galvabond
150mm	7	7	12
175mm	7	12	12
200mm	7	7	12
225mm	7	12	12
250mm	7	7	12
300mm	7	7	12
350mm	7	12	12
400mm	7	12	12
450mm	7	12	12

## Standard Bracket Parts we Usually Stock

Gutter Diam	Aluminium	Stainless Steel	Galvabond
150mm	500 +	100	Nil
175mm	500 +	nil	Nil
200mm	500 +	100	Nil
225mm	500 +	nil	Nil
250mm	500 +	100	Nil
300mm	500 +	100	Nil
350mm	250	nil	Nil
400mm	150	nil	Nil
450mm	100	nil	Nil

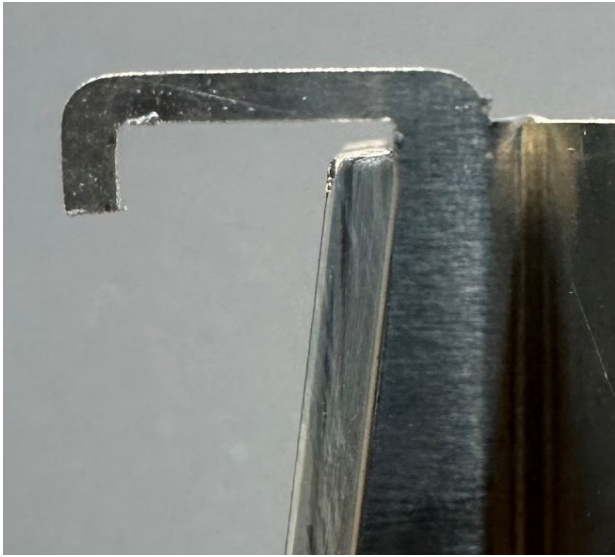
## Non - Standard Bracket - Pitched Brackets

Lead time is 12 - 15 working days (3 weeks)

# Half Round Brackets - Information

---

New Style Brackets - Hook at Back / Gutter Stopper



Now Available for Sizes 150mm to 350mm

Starter Stock - 500 off Each Size

Ask for Half Round Bracket with Hook when  
Ordering

